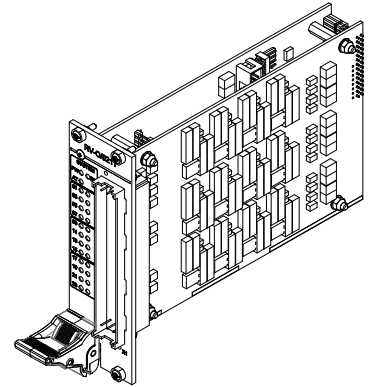


RV-O/0211

24 digital output

- 24 × digital output 24 V DC
- Galvanically separated groups
- Internal communication interface RAVA BUS
- Mounting to 19" subrack RV-RC0xx
- Design according EN 50155:2007



TECHNICAL DATA

Digital outputs	24 ×
Output type	HSS
Number of galvanically separated groups	3 ×
Number of signals in group	8 ×
Power supplying terminals	16 × single 4 × combined for two outputs
GND terminal	1 pin for each group *)
Switched current	4 A (Max. 16 A for 1 group)
Power supply voltage range	16.8 V to 30 V DC
Galv. separation/ insulation strength	Yes, 1000 V AC / 1 minute **)
Short circuit protection	Yes
Reverse polarity protection	Yes
Indication	3 × 8 LED on front panel
Connection point	DIN41612 connector, 48 pins, type F
Current / maximum power consumption	Internal 24 V DC from subrack / 180 mA
Others	
Mechanics	Subrack RV-RC0xx plug-in card
Number of occupied subrack positions	2
Ingress protection rate	IP20 (when installed)
Operating temperature range	-40 °C to +70 °C
Storage temperature range	-40 °C to +70 °C
Maximum ambient humidity	< 95 %, non-condensing
Weight	280 g
Dimensions in standard units (w × h) ***)	8 HP × 3 U
Dimensions (w × h × d)	(230 × 130 × 40) mm

*) In signal group DO01 to DO08 there are two GND terminals at the same potential.

***) Insulation must not be used for dangerous voltage separation.

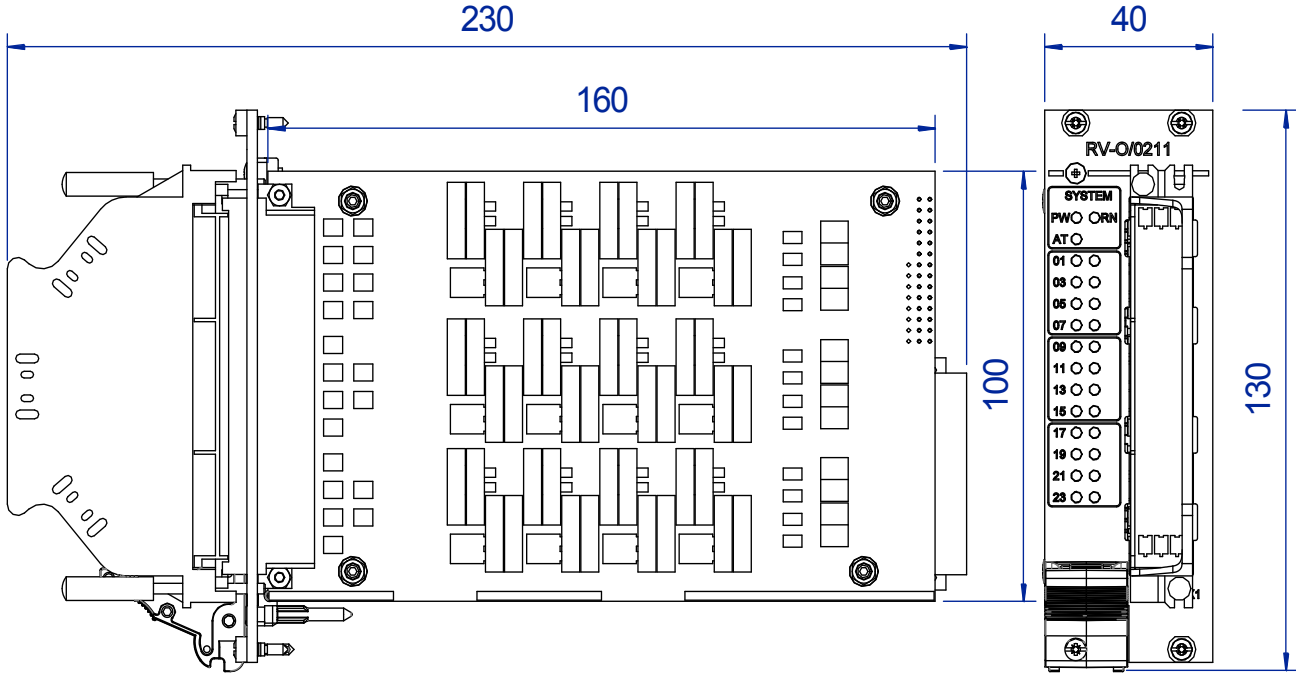
***) 1 HP (horizontal pitch) = 0.2 inch (5.08 mm)

1 U (rack unit) = 1.75 inch (44.45 mm)

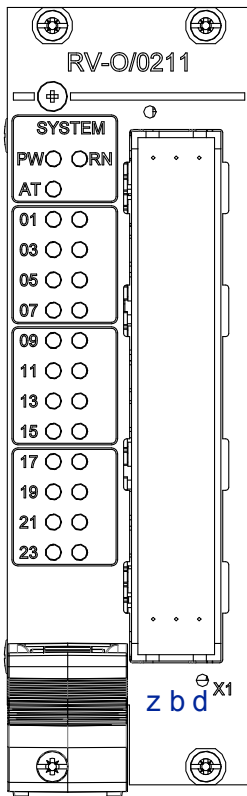
ORDERING INFORMATIONS

RV-O/0211	Plug-in card, Operation manual, Routine testing protocol, Insulation testing protocol
09062483201	Cable connector DIN41612, type F
09060009957	Connector holder
09060008482	Crimping pins for 0.5 mm ² to 1.5 mm ² cable (1 piece)

CARD DIMENSIONS



CONNECTOR PINOUT



32
30
28
26
24
22
20
18
16
14
12
10
8
6
4
2

X1	z	b	d
2	DO24	V+23_24	GND17_24
4	DO23	V+20	DO20
6	DO22	V+19	DO19
8	DO21	V+18	DO18
10	V+21_22	V+17	DO17
12	DO16	V+15_16	GND09_16
14	DO15	V+12	DO12
16	DO14	V+11	DO11
18	DO13	V+10	DO10
20	V+13_14	V+09	DO09
22	DO08	GND01_08	GND01_08
24	V+08	V+05	DO05
26	DO07	V+04	DO04
28	V+07	V+03	DO03
30	DO06	V+02	DO02
32	V+06	V+01	DO01

Data provided in this datasheet are only informative. Detailed information can be found in operational manual ([rv-o0211_g_en_xxx.pdf](#)). Documentation and examples can be downloaded from www.amit-transportation.cz, or from company CD.